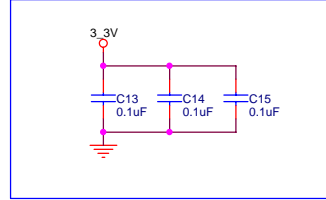
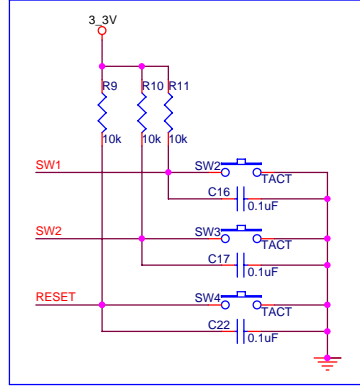


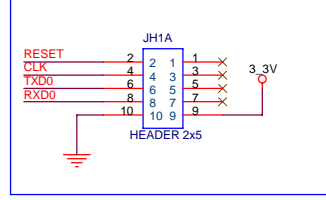
Bypass Condenser



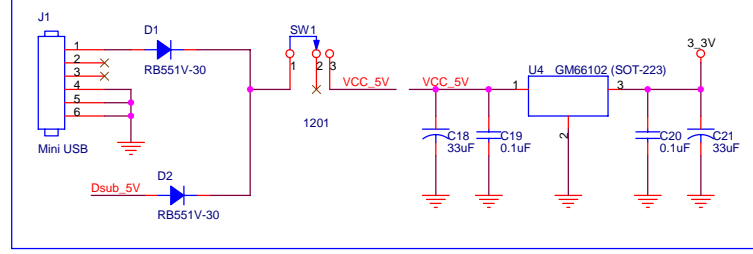
Ext Switch



AVR Download Port



Power



Title		
AVR_Connect_Board		
Size	Document Number	Rev
A3	<Doc>	<Rev Code>
Date:	Thursday, November 06, 2008	Sheet 1 of 1